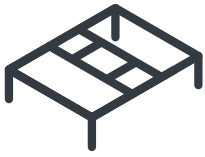


# AL Series

## Evaporative coolers

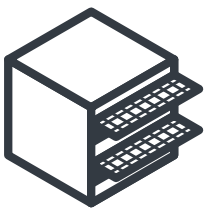
**AIRA**<sup>™</sup>  
By SEELEY INTERNATIONAL 



ROOF STAND



AUTO DRAIN KIT



LOUVRE COVERS



EXTERNAL WATER CONNECTION

The pinnacle of quality, these evaporative coolers are energy efficient, cost effective and designed for large open spaces such as factories and large warehouses.

### FEATURES

- Side, top and down discharge
- 1,500 to 23,000 L/s airflow
- Heavy duty, marine grade aluminium cabinet
- Non-corrosive low content water reservoir
- Heavy duty centre hung forward curve, belt drive blowers
- Strong easy grip pad handles for easy maintenance
- Mini-Cell<sup>^</sup> Chillcell<sup>®</sup> pad technology
- External water connection, solenoid, float and transformer pre-fitted

### OPTIONS

- Variable pitch adjustable galvanised roof stand
- Aluminium louvre covers
- Sump dump and timer
- Aira GDH and Dravo heater connectable
- Ripstop vinyl weatherproof cover
- Bushfire ember screen
- Filter panels
- Stainless steel fabrication

<sup>^</sup>Patent pending

## Evaporative coolers

### SPECIFICATIONS

#### MODEL DESIGNATION

**AL 22 D = 40 2**

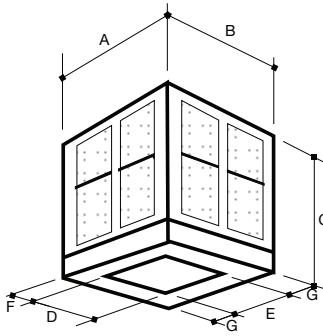
**MODEL SIZE**  
D = Down  
S = Side  
T = Top

**DISCHARGE**  
D = Down  
S = Side  
T = Top

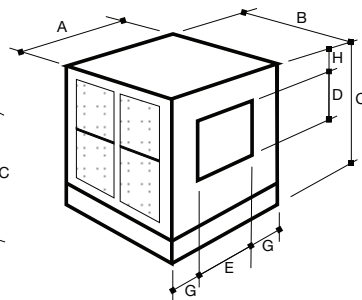
**MOTOR SIZE**  
07 = 0.75 kW  
11 = 1.1 kW  
15 = 1.5 kW  
22 = 2.2 kW  
30 = 3.0 kW  
40 = 4.0 kW  
55 = 5.5 kW  
75 = 7.5 kW  
110 = 11.0 kW  
150 = 15.0 kW  
185 = 18.5 kW

**SPEED**  
1 = Single Speed  
2 = Two Speed

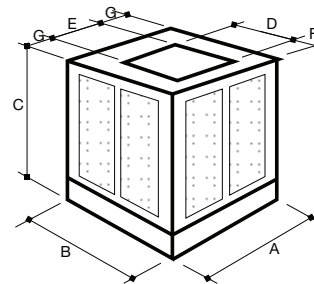
**Note:** other sizes available on request



DOWN DISCHARGE



SIDE DISCHARGE



TOP DISCHARGE

#### Dimensions

Model	12		15		18		22		25		30		33		36		
Motor	07	11	15	30	22	40	30	55	55	75	75	110	110	150	185		
A	990	990	990		1208		1550		1890		2115		2230				
B	990	990	990		1208		1550		1550		1890		2240				
C	825	825	1165		1340		1480		1830		2135		2135				
D	345	470	500		690		795		920		1090		1090				
E	400	470	545		690		795		920		1015		1090				
F	135	150	135		130		195		195		200		200				
G	295	260	222		259		377		483		550		570				
H	45	45	270		160		160		200		395		395				

#### Air quantity (L/s highspped)

50 Pa	1640	2490	3690	4450	5170	6930	7880	9500	12120	13740	15730	18450	19200	22400	-
100 Pa	1550	2280	3260	4300	4850	6720	7410	9350	11470	13220	14780	17750	18300	21800	23100
150 Pa	1450	2130	2910	4150	4720	6480	6940	8820	10910	12480	14150	17000	17800	20200	21900
200 Pa	1350	2010	2650	4000	4480	6200	6420	8400	10250	11890	13300	16250	17100	19700	20700
250 Pa	1230	1860	2480	3900	4130	5930	5850	8260	9580	11230	12700	15600	16400	19200	20300
Std/Opt	Standard	Standard	Optional	Standard	Standard	Optional	Optional	Standard	Optional	Standard	Optional	Standard	Optional	Standard	Optional

#### Blower (fan) motor

Type	DP	DP	DP	TEFC	TEFC	TEFC	TEFC	TEFC	TEFC	TEFC	TEFC	TEFC	TEFC	TEFC	TEFC
Power (kW)	.75	1.1	1.5	3.0	2.2	4.0	3.0	5.5	5.5	7.5	7.5	11.0	11.0	15.0	18.5
Voltage	240	240	240	415	415	415	415	415	415	415	415	415	415	415	415
FL Amps	5.2	6.0	8.5	6.9	4.8	7.8	6.9	11.0	11.0	14.0	14.0	20.0	20.0	28.0	35.0

#### Weight (kg)

Dry	68	78	115	124	165	176	243	274	300	305	375	400	410	425	460
Operating	85	98	135	144	190	201	273	304	325	330	400	430	440	455	490